

Exhibit Fee, Regulations, etc.

Early-bird : **May 24 (fri), 2024**
 Final : **July 19 (fri), 2024**

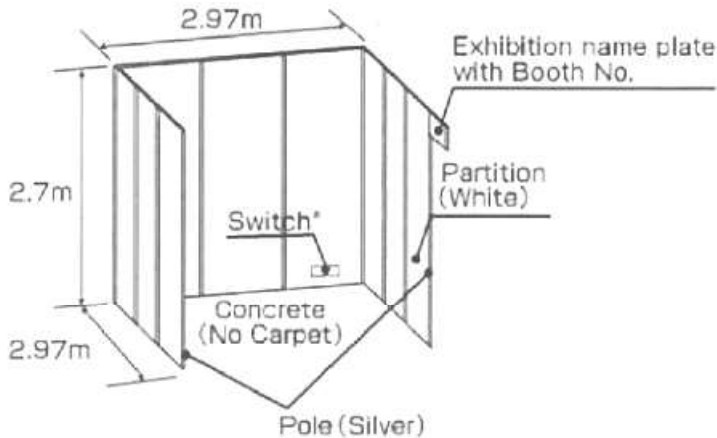
Standard Booth (Space Only)

Early-bird : **JPY 517,000**

Final : **JPY 561,000**

●Facilities included:

- Side and back partitions (white)
- Exhibition name plate with Booth No.
- Electrical wiring work for 100V / 300W (a breaker switch only - no outlet)

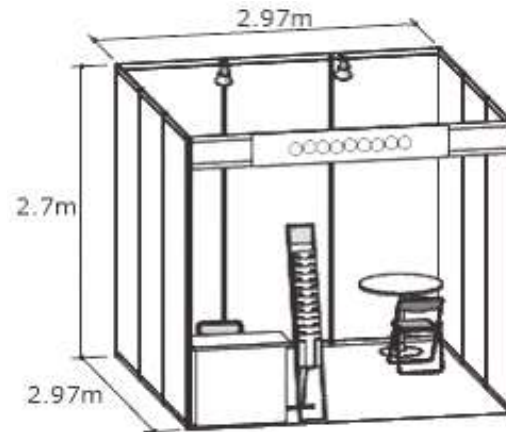


Package Plan

1 Booth

Early-bird : **JPY 662,200**

Final : **JPY 706,200**

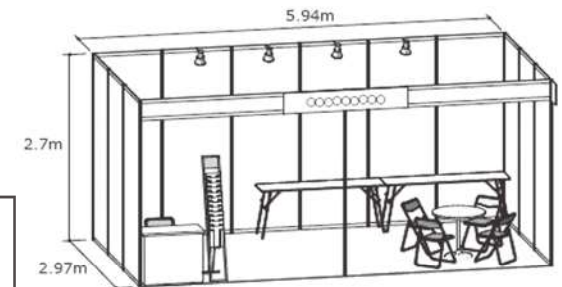


2 Booths

Early-bird : **JPY 1,324,400**

Final : **JPY 1,412,400**

Items	1 Booth	2 Booths
Side & back partitions (White)	○	○
Exhibition name plate with Booth no.	1pc	1pc
Fascia	○	○
Exhibitor's name plate	○	○
Carpeting	○	○
Power outlet (100V/834W/Japanese Type)	1pc	2pcs
LED Fluorescent light (21W)	1pc	2pcs
LED Arm spotlight (15W)	2pcs	4pcs
Electric wiring work (100V/single phase)	1kW	2kW
Electric charges for 4 days (Second Move-in Day and Exhibition Days)	○	○
Information counter	1pc	1pc
Display table	-	2pcs
Round table	1pc	1pc
Folding chair	2pc	5pc
Catalog stand	1pc	1pc



NO constructions, outlet nor lighting are provided to Standard Booth exhibitors.

Additional Fees to ALL exhibitors:
****apply to both standard booth & package plan****
 Overseas Exhibitor Processing Fee: **JPY 4,400**

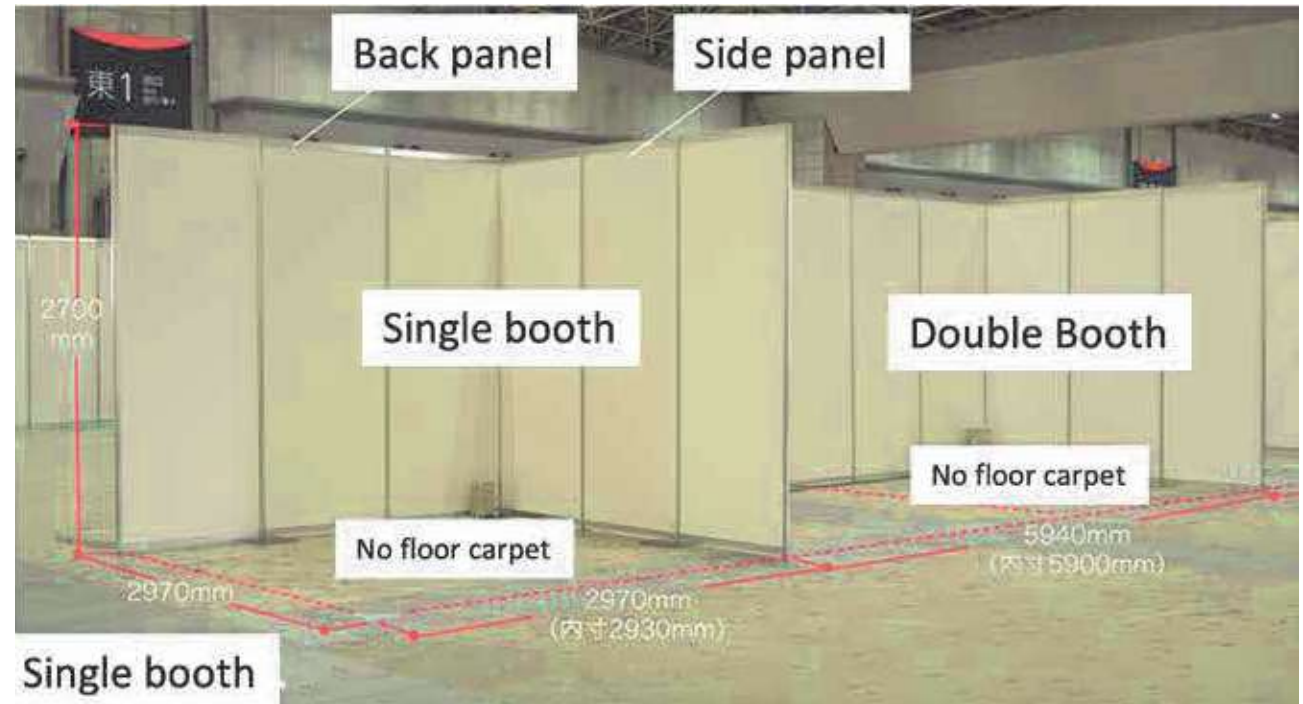
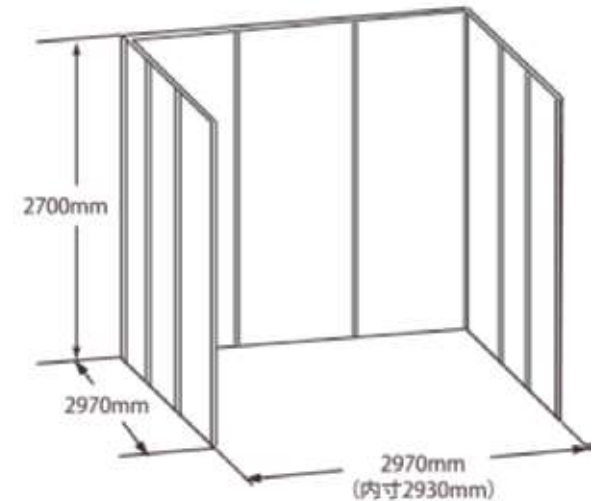
*All fees are 10% tax included.

Items included in the exhibition fee

- Space with W 2970 mm x D 2970 mm x H 2700 mm
- System wall panels (white)
- Electrical work (primary trunk line installation up to 100 V/300 W)
- Invitation cards, envelopes, posters

- If there is no adjacent booth, wall panels are not included.
- The floor is concrete.
- Side panels between adjacent booth is made of white vinyl-coated veneer with 4mm thickness.

Single booth example



The "basic booths" don't include decorations, electrical outlets, lighting, etc.

How booth Location will be determined

The Secretariat will determine the booth location based on the following factors

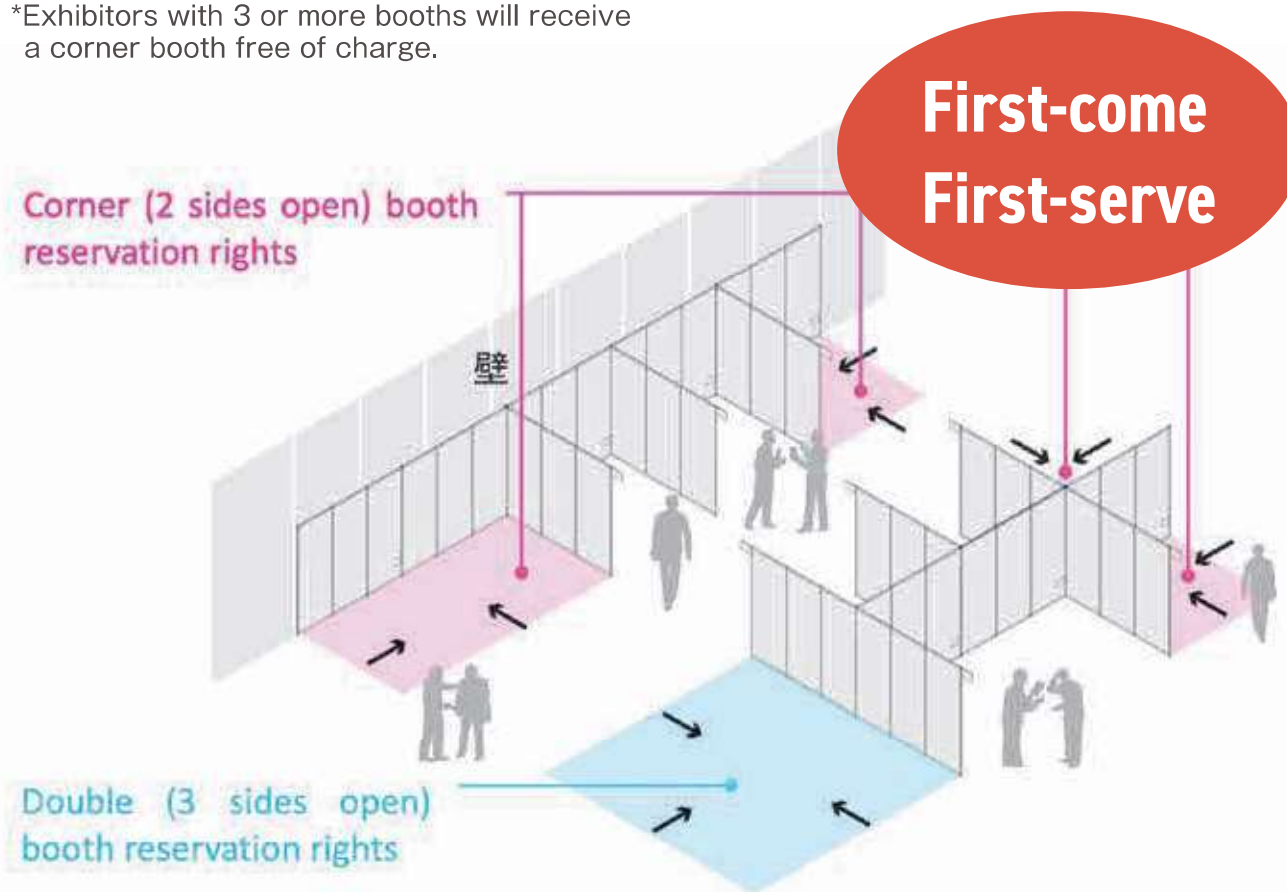
- (1) Exhibit zone
- (2) Number of booths
- (3) Number of previous exhibits, taking into consideration the date of application, use of water facilities, etc.

For exhibitors wishing to reserve a corner booth or booth location...

Please apply for the following reservation rights.(incl. 10% tax)

Type	Exhibitors	Fee
Corner booth (2-side-open) *Limited to 20 companies	For 1-2 booths	¥88,000
Booth location reservation *Limited to 10 companies	For more than 4 booths	¥165,000

*Exhibitors with 3 or more booths will receive a corner booth free of charge.



Cancellation Policy

*Please read article 11 on the Exhibition Rules & Regulations.

*Exhibition Rules & Regulation is the second page of Application form.

Cancellation by the Exhibitor

- 1) The Exhibitor shall not withdraw or cancel whole or a part of the application for the Exhibition (including reducing the number of booths; hereinafter, the same shall apply) unless otherwise the Organizer accepts it.
- 2) In case the Organizer accepts the withdrawal or cancellation of whole or a part of the application for the Exhibition by the Exhibitor, the Exhibitor shall pay the cancellation fee as follows:

Deadline	Cancellation Fees
FROM the next day of each application deadline (earlybird, normal) TO the preceding day of the day described in the next column.	50% of the Fees (excluding tax)
FROM the day of the orientation guidance of the Exhibition or the next day of the announcement of booth layout, whichever comes first.	100% of the Fees (excluding tax)

In the event of exhibition cancellation

***Please read article 10 on the Exhibition Rules & Regulations.**

*Exhibition Rules & Regulation is the second page of Application form.

In case that the Organizer decides to cancel the Exhibition, the Exhibitor who has paid all amount of Fees for the Exhibition has the right to choose 1 of the following options:

-
- (i) To participate in a similar exhibition to be held in the same fiscal year;**
 - (ii) To participate in the same exhibition to be held in the next fiscal year; or**
 - (iii) To receive a refund of 70% of Fees (including tax).**
-

Upcoming Schedule

- May 24 (Fri)
 - Deadline for Early bird exhibitor application
- Jul 19(Fri)
 - Deadline for Nomal exhibitor application
- Aug 30(Fri)
 - Payment deadline for "Exhibit Fee"
- Early September
 - Up date Exhibitor my page
 - Announcement of booth location Distribution of "Documents to be submitted" and "Exhibitor's Manual" / Explanation of regulations
- Early October
 - Deadline for submission of "Documents to be Submitted"
 - Deadline for booth decoration (Smart Decoration Plan) (tentative)

Move-in

- Nov 18 (Mon)
 - 8:00~18:00
- Nov 19 (Tue)



Move-out

- Nov 22(Fri)
 - 17:00~22:00 (tentative)

